

OWNER'S MANUAL



Warning

- ! Do not slide, climb, or play on pole.
- ! Keep organic material away from pole base. Grass, litter, etc. could cause corrosion and /or deterioration.
- ! Check pole system twice a year for signs of corrosion (rust, pitting, chipping). Remove rust and/or loose paint completely and repaint with exterior enamel paint. If rust has penetrated through the steel anywhere, replace pole immediately.
- ! Check unit before each use for loose hardware, excessive wear, and signs of corrosion and repair before using.
- ! During play, use extreme caution to keep players face away from the backboard, rim, and net.
- ! Wear a mouth guard when playing to avoid dental injuries.
- ! When adjusting height, keep hands and fingers away from moving parts.
- ! During play, do not wear jewelry (rings, watches, necklaces, etc.). Objects may entangle in net.



Hercules Diamond Basketball System

MODEL NUMBER
HER-D-G / HER-D-A

WELCOME TO THE FAMILY OF HERCULES OWNERS

Thank you for purchasing our basketball system. We try hard to ensure that our products are of high quality and free of manufacturing defects and of missing parts. However, if you have any problems with your basketball pole, such as a manufacturing defect or a missing part please contact us at the following:

Toll Free: 1.800.294.4667
Web: www.hoopsincorporated.com
FAX: (281) 357-4822

Hoops Incorporated
22047 Lutheran Church Rd.
Tomball, TX 77377

Please provide model number, serial number, and/or part number of the product and/or part when you call, write or email. These numbers can be found on the product, packaging, or in this owner's manual.

Read this manual all the way through before starting to put up your pole. Then read each step completely before beginning that step.

Bill of Materials

Ref.	Qty.	Description
A	1	Vertical Post
B	1	Rim and Net
C	1	Backboard, H-Bracket, Backboard Padding
D	1	Main Extension Arm
E	1	Short Extension Arm
F	1	30cm x 26cm Rear Extension Arm Plate
G	1	35cm x 35cm Pier Plate
H	6	19mm J-Bolt
	18	19mm Hex Nut
I	6	27cm x 13mm Rear Extension Arm Bolts
	12	Flat Washer
	6	Lock Washer
	6	13mm Nut
J	4	7.5cm x 8mm Rim Bolts
	8	Flat Washer
	4	Lock Washer
	4	8mm Nut
K	6	3cm x 8mm Rear Short Extension Arm Securing Bolts
	12	Flat Washer
	6	Lock Washer
	0	Nut
L	6	4cm x 8mm H-Bracket to Main and Small Extension Arm Bolts
	12	Flat Washer
	6	Lock Washer
	6	8mm Nut
M	4	Steel/Plastic Backboard Rim Hole Grommets

Installation Instructions

In order to have the safest fun and longest use of your Hercules system, please note and heed the following:

1. Prior to main post preparation and goal assembly, call utility services for location of underground utility lines before you dig.
2. NOTE: Immediately unpack all components and cross check against bill of materials. Report any shortages to Hoops customer service at 1.800.294.4667.
3. Vertical main post assembly is a two part process.

PART 1

- Day 1.** Complete Anchor System Installation Instructions. (Below)
- Day 2.** Allow concrete to cure.
- Day 3** Allow concrete to cure.
- Day 4.** Allow concrete to cure.

PART 2

- Day 5.** Complete Hercules assembly instructions.

4. Assembly of this system **requires special lifting equipment** (ie Genie Lift, scaffolding, or other appropriate lifting equipment) and at least three capable people to raise the main extension arm and backboard to the proper height.

ANCHOR SYSTEM INSTALLATION INSTRUCTIONS

(Day 1)

WARNING

Before digging the hole for this pole, check for buried power, gas, water, and telecommunication lines! Failure to do so could result in serious or fatal injury! Contact your local utility company if unsure.

1. Choose the proper location to dig for the concrete footing. **Use the distance chart in figure A to help you make your decision.** When choosing the exact position to dig, make sure to maximize the amount of playing surface while minimizing possible obstructions.
2. Dig hole 48" deep and 24" square. Be sure to bell out the bottom of the hole to give added stability to the footing.

NOTE: *If you live in an area where the frost line is below 48" it is advisable to dig to normal frost line. Do not cheat on the hole size, it is imperative that the hole be a minimum of 48" deep and 24" square!*

3. **Assemble the anchor kit as shown in figure B.** First thread a **19mm Hex Nut (H)** all the way on to each **19 mm J-Bolt (H)**. Place the threaded end of each **19mm J-Bolt (H)** through the 6 holes located in the **35cm x 35cm Pier Plate (G)**. Then thread a second **19mm Hex Nut (H)** on to each **19mm J-Bolt (H)** until tight against the **35cm x 35cm Pier Plate (G)**, making sure to keep the **19mm J-Bolt (H)** hooks pointing in toward the center of the **35cm x 35cm Pier Plate (G)**.
4. For this step you will need a level, broomstick, and tape measure. The 48" x 24" anchor footing will require a little over a 1/2 yard of 3000 psi concrete (32-34 60# sacks of premix concrete). More will be needed if you dig a larger hole.

NOTE: *Make certain that you have enough concrete to finish the job. Allowing a portion to dry while you purchase more concrete will weaken the footing.*

5. Mix the concrete according to the instructions on the bag. Fill the hole full to ground level with as little time between batches as possible.

NOTE: *It is better to mix it slightly wet than too dry.*

6. Insert the broomstick in 3 or 4 different places and vibrate up and down to settle the concrete. Submerge the (6) anchor footing rebar pieces into the center of the hole spaced evenly. Next set the anchor bolt assembly into the wet concrete, vibrate it as it goes in to make sure the concrete fills in around the 19mm J-Bolt (H) hooks. Make sure the 35cm x 35cm Pier Plate (G) is pressed firmly against the top of the wet concrete. Use the level to ensure that it is level in all directions. Additionally, the center line of the 19mm J-Bolt (H) must be parallel with the edge of the playing surface. (See figure C). Be sure 3 19mm J-Bolt (H) are facing toward the front of the goal to ensure the goal is facing the correct direction as shown in figure C.

STOP HERE!

Allow footing to cure for 3-7 days before proceeding.

HERCULES ASSEMBLY INSTRUCTIONS

(Day 5)

7. Loosen the top **19mm H Nuts (H)** ½ turn from the **19mm J-Bolts (H)**. These will be your level adjustment nuts. Leave **35cm x 35cm Pier Plate (G)** in place.
8. Place the **Vertical Post (A)** down over the footing making sure not to damage the **19mm J-Bolts (H)** threads. Using the final 6 **19mm Hex Nuts (H)**, bolt down **Vertical Post (A)** finger tight.
9. Level the **Vertical Post (A)** by adjusting the **19mm Hex Nuts (H)** located underneath the base plate. Then tighten top nuts against the top side of the base plate.
10. Install the 45 degree **Main Extension Arm (D)** as shown. It can be mounted loosely at ground level and slid up the **Vertical Post (A)** or mounted at correct height depending on lifting equipment available. Use **30cm x 26cm Rear Extension Arm Plate (F)** and **3cm x 8mm Rear Short Extension Arm Securing Bolts (K)** (**See Figure A**) You may use a Genie lift, scaffolding, or other appropriate lifting equipment to raise the **Main Extension Arm (D)**. Raise the top of the **30cm x 26cm Rear Extension Arm Plate (F)** to 8' 11" above the playing surface. This is your starting location for achieving 10' rim height. Tighten all 6 **27cm x 13mm Rear Extension Nuts (I)**. (be sure these are all level and tightened before installing the **Backboard, H-Bracket, Backboard Padding (C)**)
11. Attach the **Short Extension Arm (E)** to the attachment points on the bottom side of the **Main Extension Arm (D)**.
12. Install **Backboard, H-Bracket, Backboard Padding (C)** Using the **4cm x 8mm H-Bracket to Main and Small Extension Arm Bolts (L)**. A Genie lift, scaffolding, or other appropriate lifting equipment should be used to lift equipment.
13. Prior to installing the **Rim and Net (B)**, locate the 4 **Steel/Plastic Backboard Rim Hole Grommets (M)**. Insert them into four rim holes in **Backboard, H-Bracket, Backboard Padding (C)**. This is very important to prevent backboard breakage.

CAUTION: Do not proceed with rim installation without these spacers!

14. Tighten all bolts and nuts.

Installation Figures

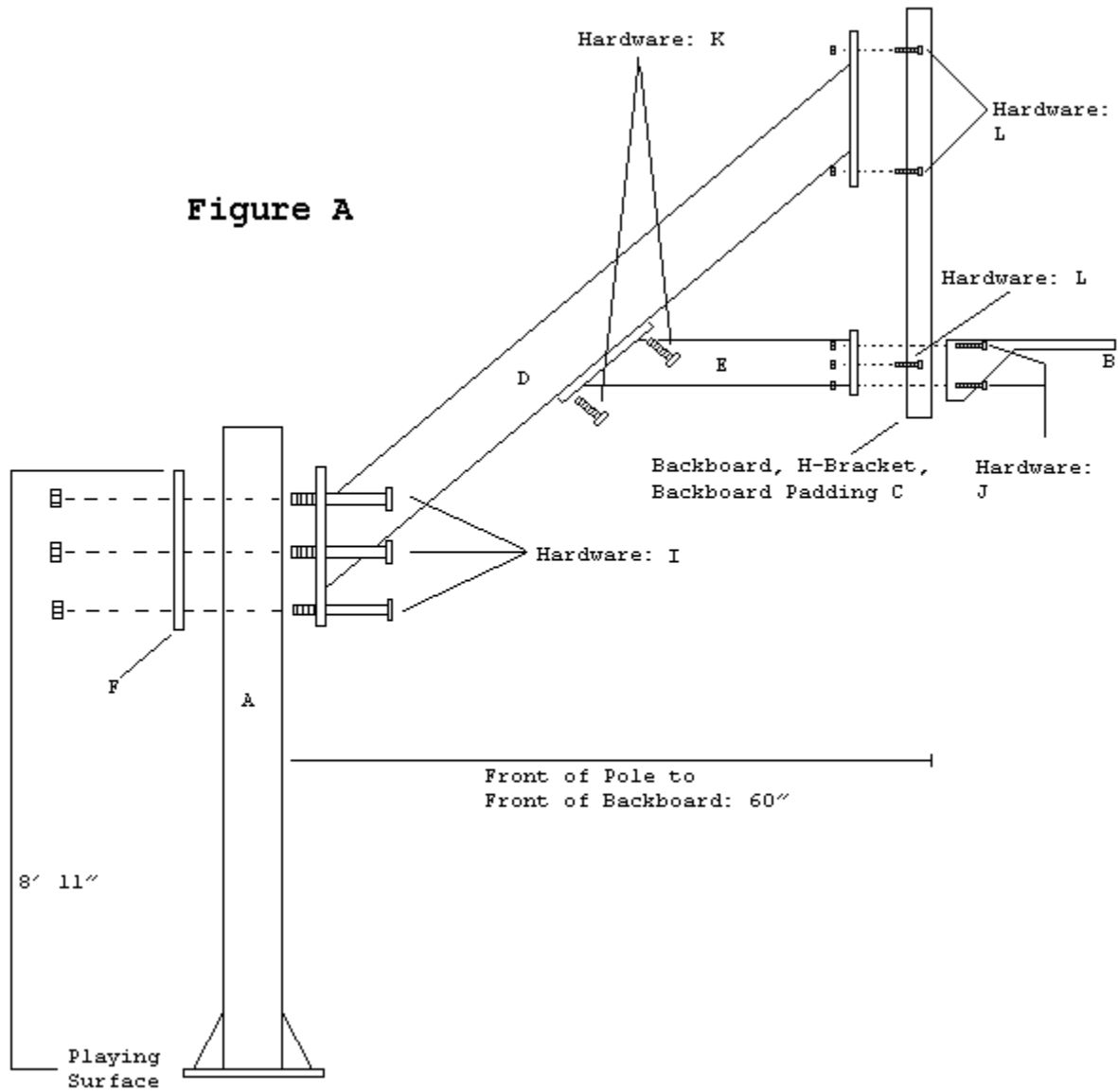


Figure B

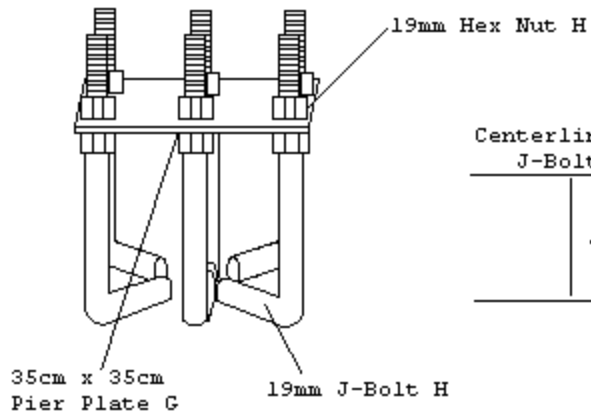


Figure C

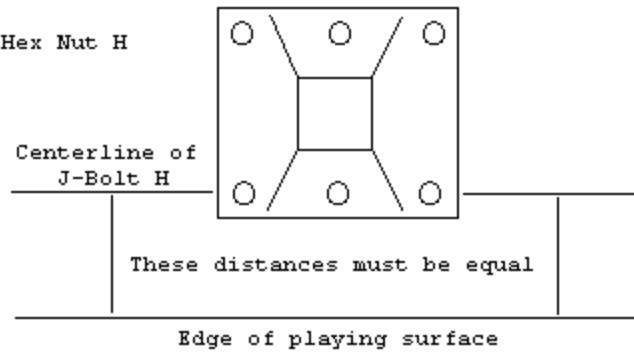
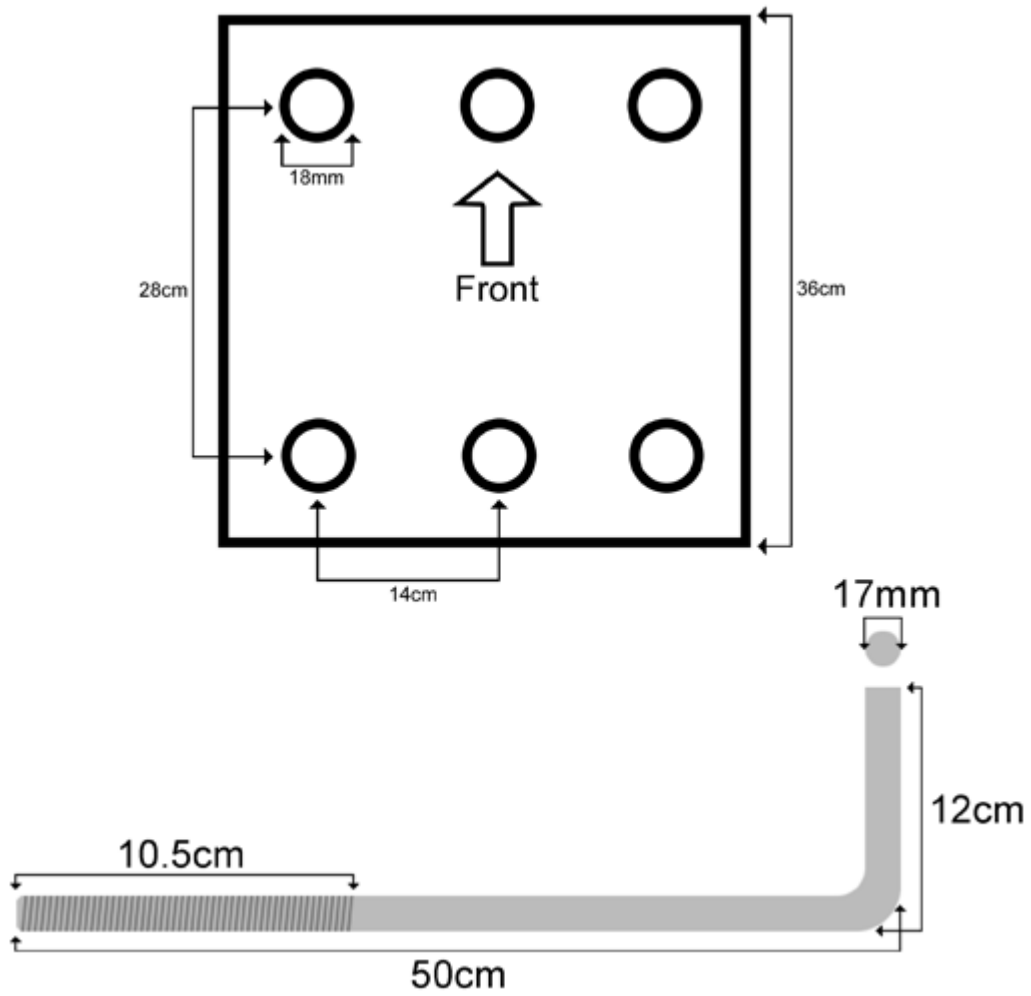


Figure E



Hercules Care Information

BACKBOARD

Items needed to clean backboard:

- 100% cotton soft cloth, (only)
- Mild dish washing liquid for soap
- Luke warm water

Cleaning Directions

Rinse backboard with lukewarm water. Wash gently with a 100% Cotton soft cloth, lukewarm water and mild soap. Do not scrub. Rinse backboard with lukewarm water again. Dry with 100% cotton soft cloth. To minimize scratches and minor abrasions to your backboard

Rim

- When attempting slam dunk activity you should always wear a mouth guard to avoid dental injury.

Hoops Inc. Pro Dunk® Limited Lifetime Warranty

Hoops Pro Dunk® basketball structural components are warranted to the original purchaser to be free from defects in material or workmanship for the duration of ownership by the original retail purchaser. The word “defects” is defined as imperfections that impair the use of the product.

Warranty Fulfillment

Merchandise must be shipped prepaid with a copy of proof of purchase to Hoops Inc. for examination to see whether it needs to be repaired or replaced. Any labor costs, travel expenses and any other changes involved in the removal, installation or replacement of the defective/repaired parts from/to your Hoops Pro Dunk system will be your (the purchaser's) responsibility. Shipping charges for replaced or warranted merchandise being sent back to the customer must be prepaid by the customer in advance. If not, the replacement shipment will be sent out collect. Hoops Inc. reserves the right to examine photographs or physical evidence of merchandise claimed to be defective, and to recover said merchandise, prior to authorization of warranty claims.

What is not covered by this warranty

This warranty does not cover defects or damage due to improper installation, shipping, handling, alteration, accidents, vandalism, weather conditions (rusting), exposure to corrosives, negligence, misuse (anything other than a type of basketball activity or related contact with the unit), scratching, scuffing or any event beyond the control of the Hoops Inc..

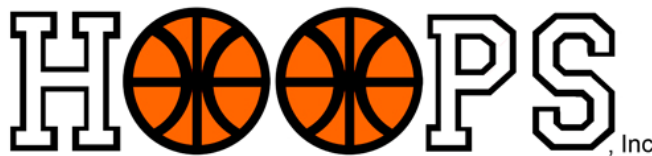
Liability

Hoops Inc. shall not be liable for indirect, special, or consequential damages arising out of or in connection with the use or performance of the products or other damages with respect to any economical loss, loss of property, loss of enjoyment of use, costs of removal, installation or other consequential damages for breach of any expressed or implied warranty on these products.

Guidelines

Keep your proof of purchase (original retail purchaser). Without it, we will not be able to proceed with any warranty service.

- Call
1-800-294-4667 / Warranty Dept.
- Write
Hoops Inc.
Attn: Warranty Dept
22047 Lutheran Church Rd.
Tomball TX 77377
- Email
support@hoopsincorporated.com



Toll Free: 1.800.294.4667
Web: www.hoopsincorporated.com
FAX: (281) 357-4822

Hoops Incorporated
22047 Lutheran Church Rd.
Tomball, TX 77377